

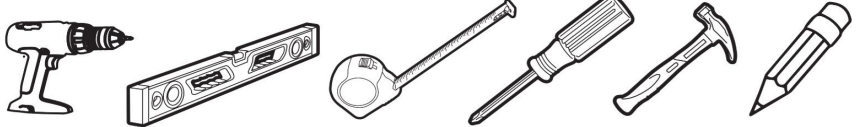
LED Mirror with Bluetooth Speaker

SKU : SHA5332 EAN : 5060774555217 Model Number : DBS-08

Installation Guide

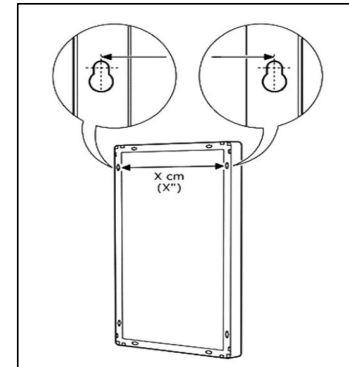
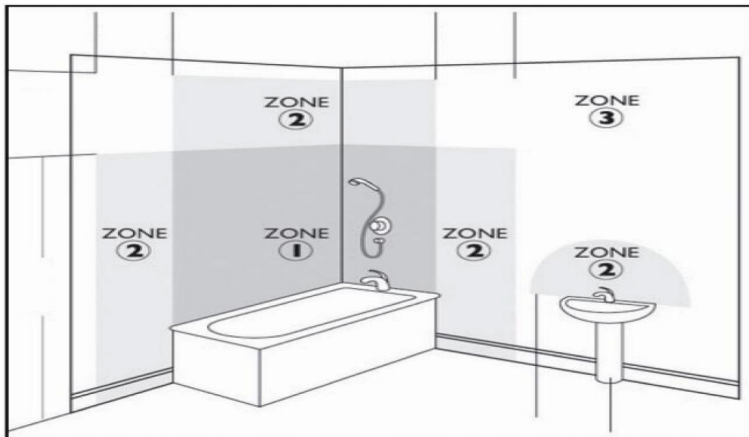
Power supply	230V / 50Hz	CONTENT: 1 x LED Mirror, 2 x Screws&Studs 1 x User Manual
Light source	LED	
Power	36 W Max.	
Color temperature	3000K-6000K	
Certificate	IP44 / CE / RoHS / RED	
Feature	LED, Anti-fog, Bluetooth, Clock, Temperature, Dimmable	

Tools you will need:

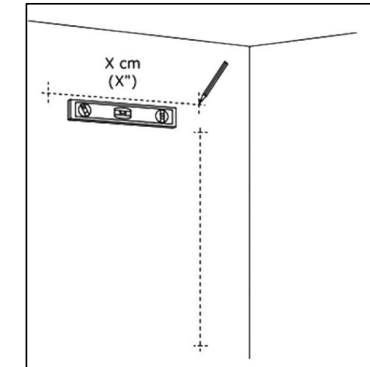


Drill/Driver Level Tape Measure Screw Driver Hammer Lead Pencil

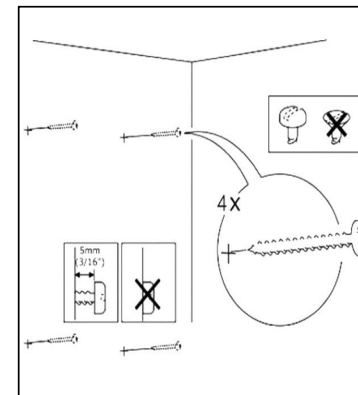
Indoor use only. Suitable for bathroom **zones 2, 3**, and non-bathroom/dry areas. See diagram below. Not suitable for above baths zone 1, nor for installation in saunas, steam rooms or shower cubicles. Do **Not** take off the corner protection during the installation!



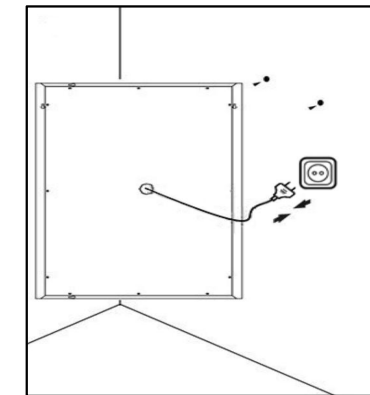
Step 1: Measure the distance of the level hang holes.



Step 2 : Mark drill point base on measured distance.



Step 3: Drill and place screw.



Step 4: Plug in and hang the mirror.

※ Clock setting

1. Press and hold 'Defog/Time' button (2) until the numbers on the clock starts to flash.
2. Press the 'Light' button(1) quickly to reach the correct hour.
3. Press and hold 'Defog/Time' button (2) until the numbers on the clock stops flashing.
4. Repeat the above steps for 'Minutes' by using Minutes button (2).

※ LED light setting

1. Touch the "Light" button (1) to turn on the LED.
2. Press quickly the "Light" button (1) to change color.
3. Press and hold the "Light" button (1) to change the brightness.

※ Bluetooth

1. Press the "Bluetooth" button (3), open Bluetooth in your smartphone and search for the signal. Once connected, you can play music from your smartphone.

CLEANING INSTRUCTIONS

Clean using a soft dry cloth only. Never use cleaning agents or abrasive materials.

Stuck? Confused?

Contact our Technical Support team on:
 T: +44 (0)1291 446 105 E: support@ener-j.co.uk
 Lines are open Mon - Fri (8am to 4pm)

Imported and Marketed By:

ENERJ SMART LTD.
 Unit 11D cosgrove Way, Luton LU11XL,
 United Kingdom