

# Surface mounted microwave sensor



SKU Code : T345

EAN Code : 5060774551196

## Technical Specifications:

<b>Input voltage</b>	220V-240V/AC
<b>Power frequency</b>	50/60Hz
<b>HF system</b>	5.8GHz CW radar, ISM band
<b>Transmission power</b>	<10mW
<b>Rated load</b>	1200W (220-240VAC); Max. 400W for the led load.
<b>Hold time</b>	8sec-12min, adjustable
<b>Detect distance (radii.)</b>	2-10m, adjustable
<b>Daylight sensor</b>	2-2000lux, adjustable
<b>Detect angle</b>	360° x160°
<b>Installation height</b>	max. 10m
<b>Product Size</b>	∅ 9.4x4.2cm
<b>n.W</b>	0.1kg
<b>White box size</b>	10*5*10cm
<b>G.W</b>	0.15kg

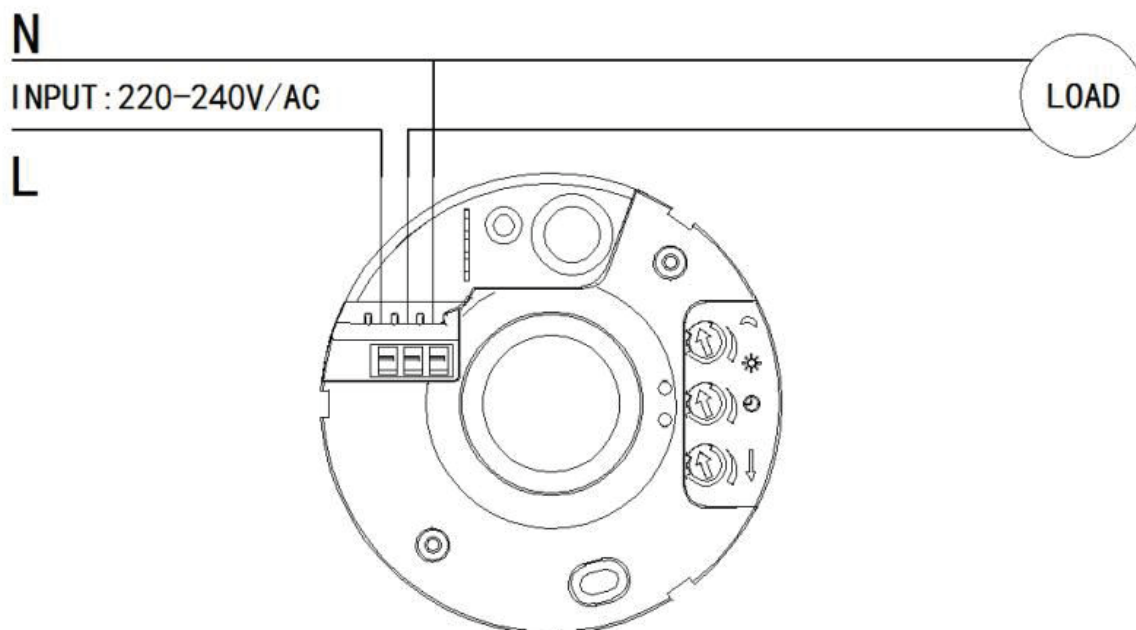


## DESCRIPTION

The sensor is an active motion detector, it emits high-frequency electro-magnetic wave 5.8GHz and receives their echo. The sensor detects the change in echo from even the slightest movement in its detection zone. A microprocessor then triggers the "switch light ON" command. Detection is possible through doors, panes of glass or thin walls.



**DIAGRAM**



---

**Thank you for choosing ENER-J!**

Customer satisfaction is our TOP priority, please let us know how you felt about your experience. Happy? We are so happy that you are pleased with our product. Feel free to express your newfound joy! Share your experience by writing a review.

Not Happy? If you are not fully satisfied with the item you received, have any problems like damages, or questions, please contact us. We typically respond within 24-48 hours.

**Stuck? Confused?**

Contact our Technical Support team on:

T: +44 (0)2921 252 473 E: [support@ener-j.co.uk](mailto:support@ener-j.co.uk)

Lines are open Mon - Fri (8am to 4pm)