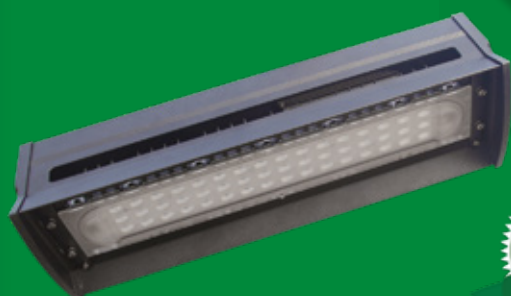


## INDUSTRIAL LINEAR HIGHBAY 100W



**12000**  
LUMENS

**100W**  
WATTS

**IP65**

### Description

This is a superior Linear LED High Bay which replaces traditional SON and metal halide fixtures up to 500W. With an Impact Protection Rating of IK10, our Linear High Bays also incorporates 5 Way Protection from the elements including water (IP65), dust, ice, heat and corrosion.

Features include super bright LED chips delivering an impressive 120Lm/Watt, allowing installation from 4m to 15m. The fitting is totally glass-free and shatter-proof, featuring PC lens which provides a uniform, and even light pattern, and makes it additionally suitable for food and drink product environments.

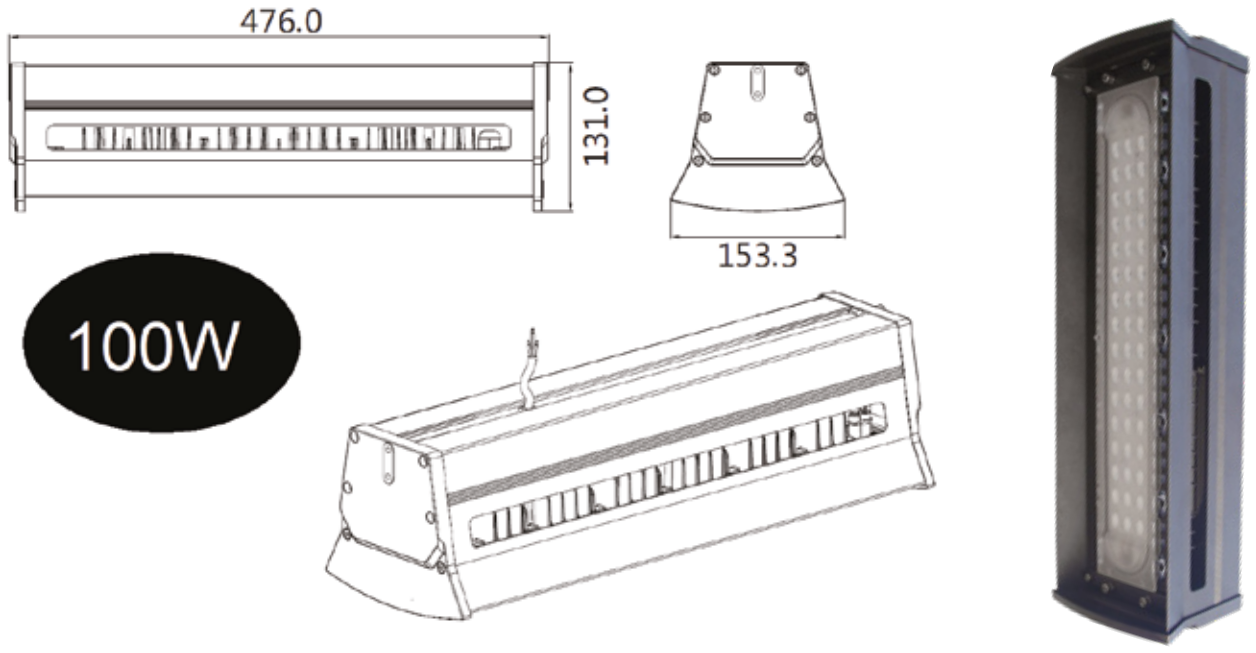
With sliding brackets for simple and easy installation, this Linear High Bay can be either surface-mounted or suspended. The perfect linear LED lighting choice for a wide range of applications including warehousing, logistics, manufacturing & production, refrigeration & cold storage areas, atria, sports & leisure.

SKU Code: T756

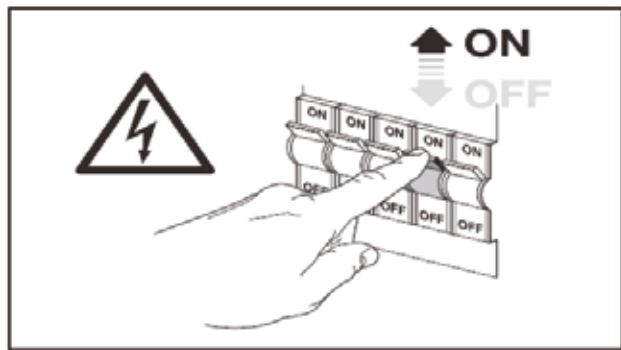
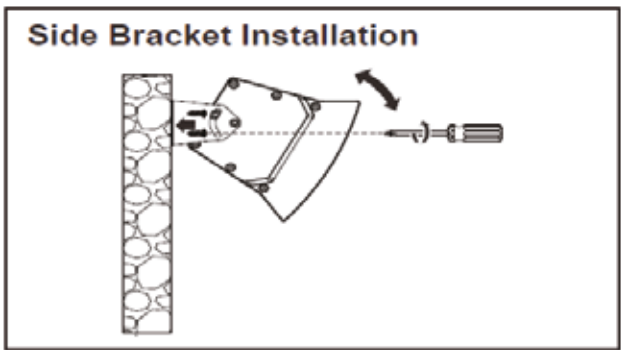
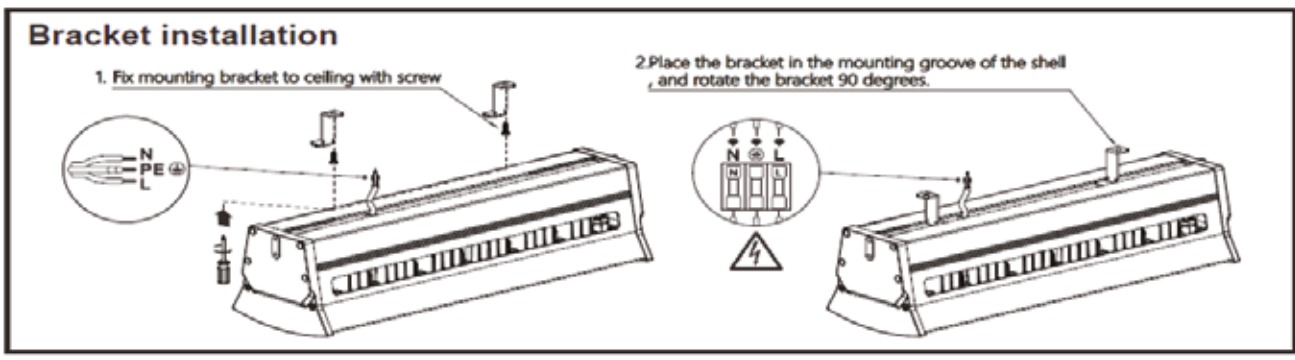
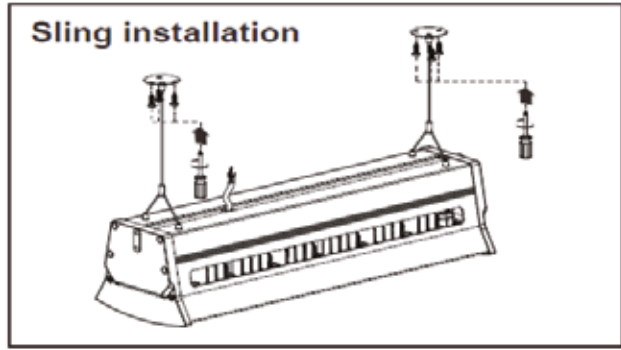
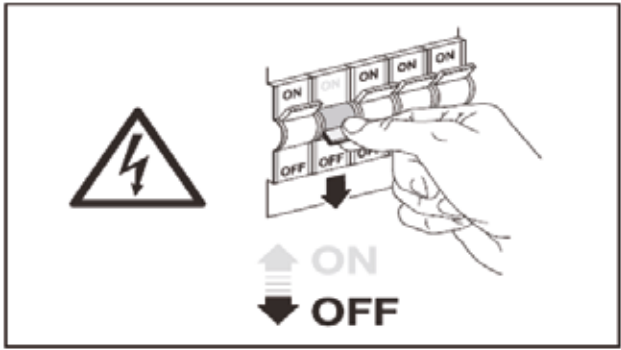
### Specifications

|                             |   |
|-----------------------------|---|
| Model No                    | ZGE-TXGKD467W153-100LF  |
| Size (Dimension)            | 476*131*153.4mm   |
| Product Net Weight          | 2720g±50g   |
| Housing Colour              | Matte Black   |
| Housing Material            | ALUMINIUM ADC12, Chip Lens Plastic  |
| LED Chips                   | 2835 chips, 28 strings 5 parallel SMD   |
| Output Cable                | Conductor ≥1.0mm <sup>2</sup> ; wire length: ≥2000mm (Exposed); tail end: copper-clad |
| LED Driver                  | Linear Constant Current Power Supply  |
| IP Grade                    | IP65  |
| Environment temperature     | working -20°C~+45°C; storage -30°C~+60°C  |
| Environment humidity        | working- 10%~75%; storage- 10%~90%  |
| Dimming Type                | Non Dimmable  |
| <b>Electric Parameters</b>  |   |
| Input Voltage               | AC220V-240V   |
| Input Current               | 0.46A - 0.51A   |
| Power (WATTAGE)             | 100W±10%  |
| Power Factor                | ≥0.9  |
| Frequency                   | 50/60Hz   |
| <b>Optical parameters</b>   |   |
| Color temperature (CCT)     | 6000K   |
| Color rendering index (CRI) | ≥70   |
| Luminous Flux               | 12000±10% lm  |
| Beam angle                  | 120°  |
| Chromaticity                | SDCM<6  |
| Working Life                | Under nominal voltage input, working life is forced not lower than 25000h in 25°C±1°C |

100W Product Dimension



Installation Diagram



## Warning

This product may lead to a possible shock or fire hazard if not installed correctly. Products should be installed as per the instructions mentioned in this manual and also as per current electrical codes National Electric Code (NEC).

## Caution

To avoid the risk of fire, electrical shock or injury, please note the following points.

1. It is advisable that the installation is done by a trained Electrician.
2. The lamp contains fragile accessories. Please handle it carefully.
3. Please turn off the power before installation or repairs. Risk of Electric shock!
4. This product works with High-Voltage AC Power supply. The product should be installed in place where it's difficult for people to touch when the product is lighted. The Wiring core should not be exposed and should have grounding protection.
5. The Temperature of the housing will rise after it is lighted. Please donot touch the product to prevent burns.
6. Do not exceed with Voltage Range to ensure long life of the power supply and the product.
7. This product is Waterproof and Moisture Proof but cannot be installed under water.
8. The product has 3 years of limited warranty. Physical damage not covered in warranty. Warranty does not cover incorrect installation which includes using not included accessories. The product needs cooling time after every usage of 12 hours a day. If used more than 12 hours then product life will be affected and warranty will be void.