



LED CANOPY LIGHT



SKU Code: T318/T319/T320/T321



Products Features

- The material of heat sink is high thermal conductivity No. ADC12 aluminum, good for heat dissipation.
- The unique design of housing help to speed up the heat dissipation, further ensuring the life of the fixture. The integrated design of appearance makes the fixture looks elegant.
- This fixture is waterproof, dustproof, anticorrosive.

Packing including

- 1 x LED Canopy light.
- 1 x Product user manual.

Warning

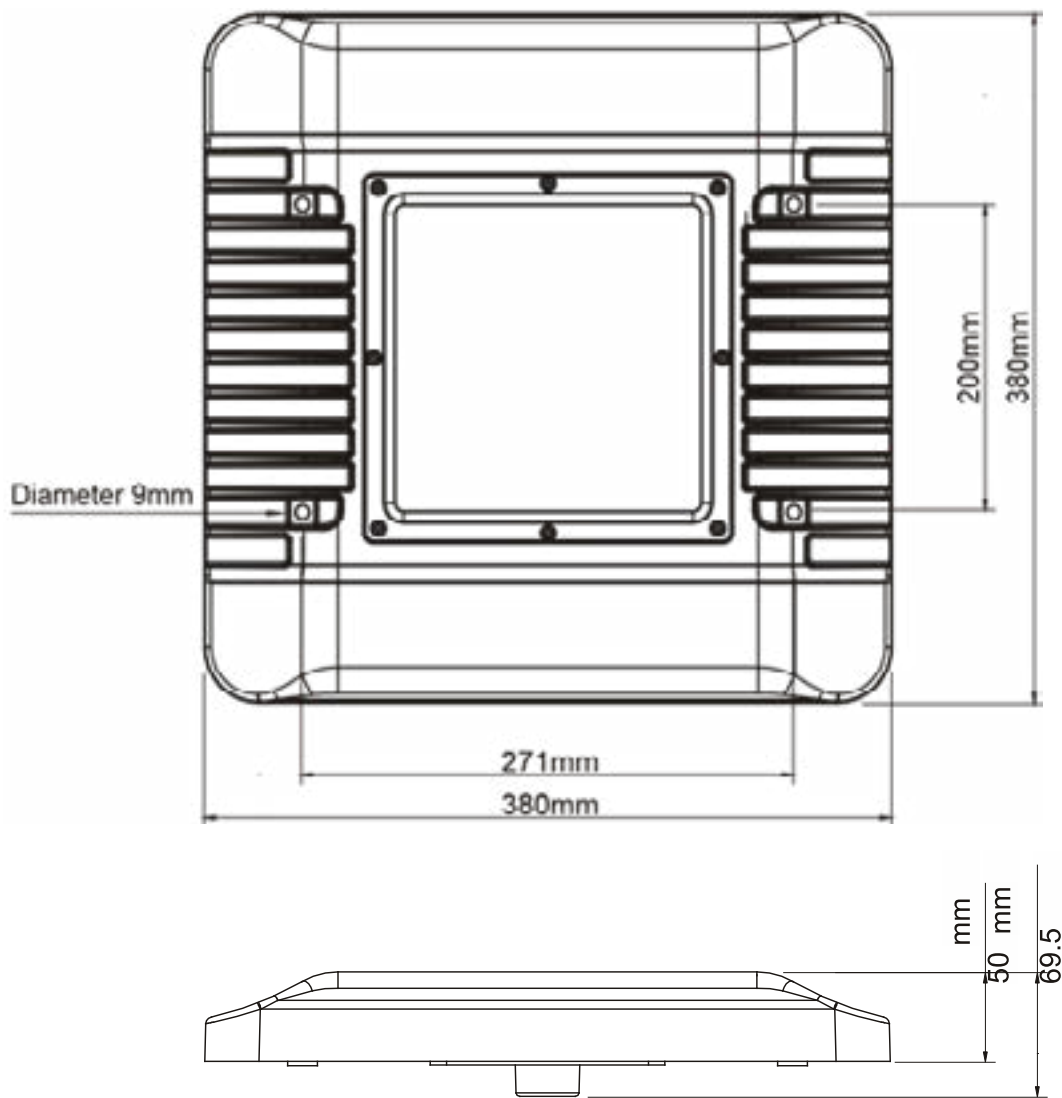
- Please read the manual carefully before installation.
- Please authorise only qualified person or professional engineer to install the fixture.
- Before installation, Please check if the local voltage range is correspond with the working voltage of the fixture.
- if the fixture is damaged, it should be replaced by the supplier, a service agent or a qualified person.
- Please keep the fixture out of fire, electric shock, vibration.
- To avoid fire, electric shock..

SKU	CCT	EAN
T318	5700K	7103353184465
T319	4000K	7061256190252
T320	5700K	7103357864622
T321	4000K	7103351548023

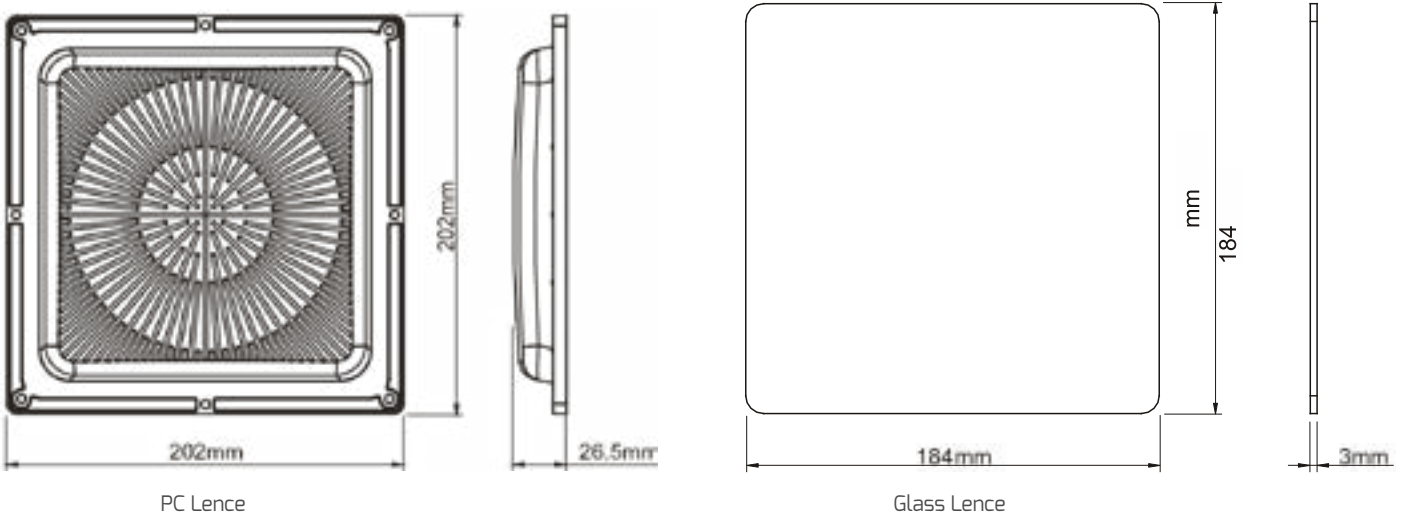
Specifications

Products	100W Technical Parameters	150W Technical Parameters
Product Name	100W LED Canopy light	150W LED Canopy light
Part No	HD-CP01-100W	HD-CP01-150W
LED Type	2835	
LED QTY	120PCS	180PCS
System Efficacy	120±5% LM/W	
Luminous Flux	12000±5% LM	18000±5% LM
CCT	5700K, 4000K	4000K, 5700K
Beam Angle	110°	
CRI	>80Ra	
System Efficiency	>90%	
PowerSupply	SOSEN	
Input Voltage	AC100-277V/AC120-277V/AC200-480V	
Power Frequency	50/60Hz	
Output Voltage	DC28.8-48V	
Output Current	1.0A(Constant Currrent)	1.5A(Constant Currrent)
Power Efficiency	≥90%	
Power Factor	≥0.9	
Total Harmonic Distortion	<15%	
System Power consumption	100±5 W	150±5 W
Led Power consumption	92±5 W	138±5 W
Application	Outdoor	
Certificates	ETL cETL DLC CE ROHS	
Fixture Material	ADC12 Aluminum alloy	
Ingress Protection	IP65	
Operating Temperature	-30 ~ 50°C	
Life span	>50000Hrs(Ta=30°C @LM70)	
Operating Humidity	15-90%RH	
Storage Temperature	-40 ~ 70°C	
Storage Humidity	10%-95%	
Luminaire Net Weight	4.7±0.2KG	5.0±0.2KG
Export Carton Size	432*408*108mm	
Luminaire Gross weight	5.7±0.2KG	6.0±0.2KG

100-150W Product Dimension

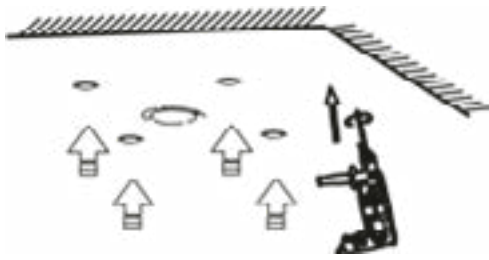


Accessory



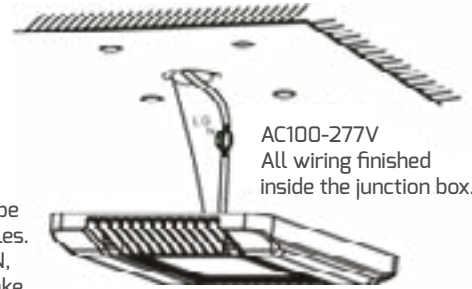
Installation

1



Drilling a holes in the ceiling.

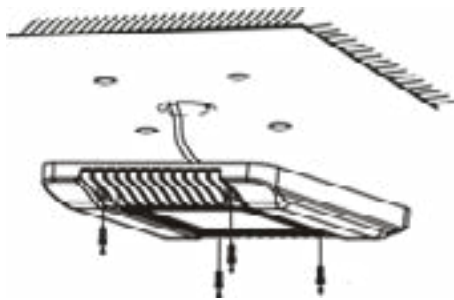
2



AC100-277V
All wiring finished
inside the junction box.

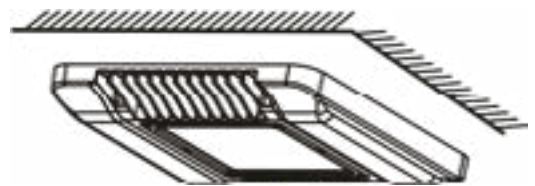
Install safety rope
Connect the cables.
Black-L, White-N,
Green-Ground take
care of the waterproof
processing.

3



Install the screws.

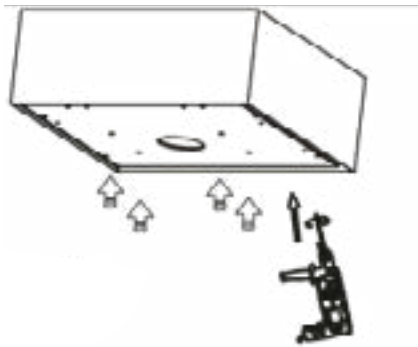
4



The installation is complete.

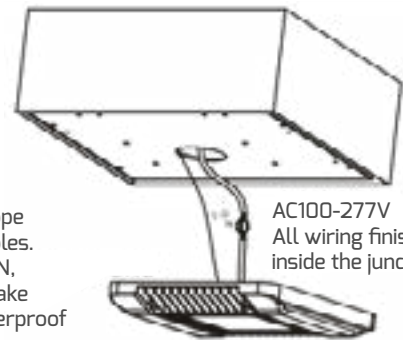
Installation

1



Drilling a holes in
the Sheet metal box.

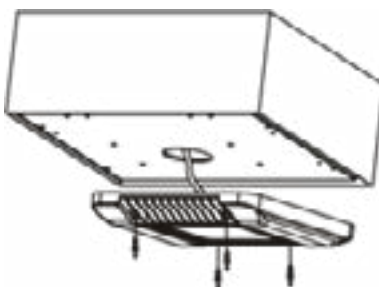
2



AC100-277V
All wiring finished
inside the junction box.

Install safety rope
Connect the cables.
Black-L, White-N,
Green-Ground take
care of the waterproof
processing.

3



Install the screws.

4



The installation is complete.